

8BL1200-28T7

B

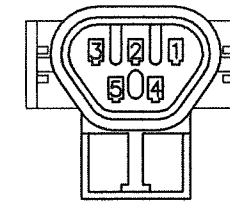
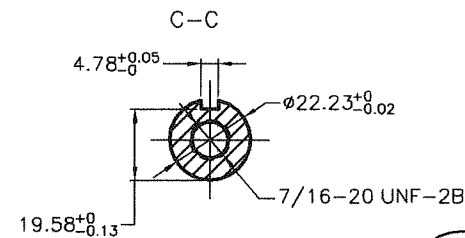
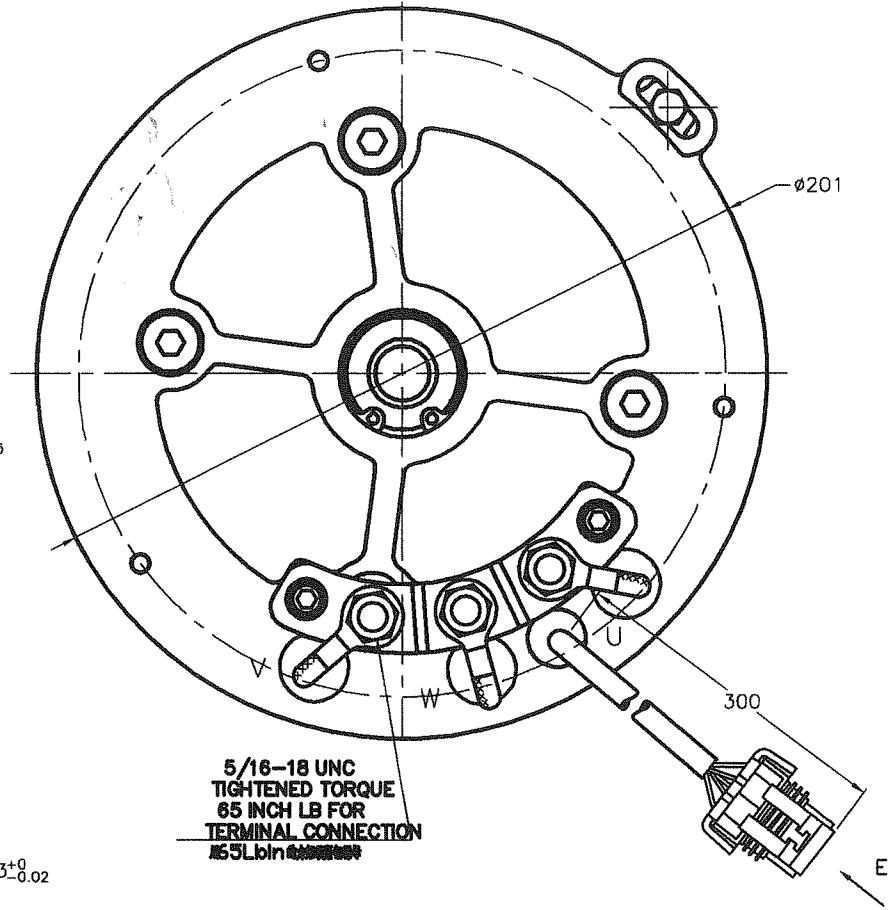
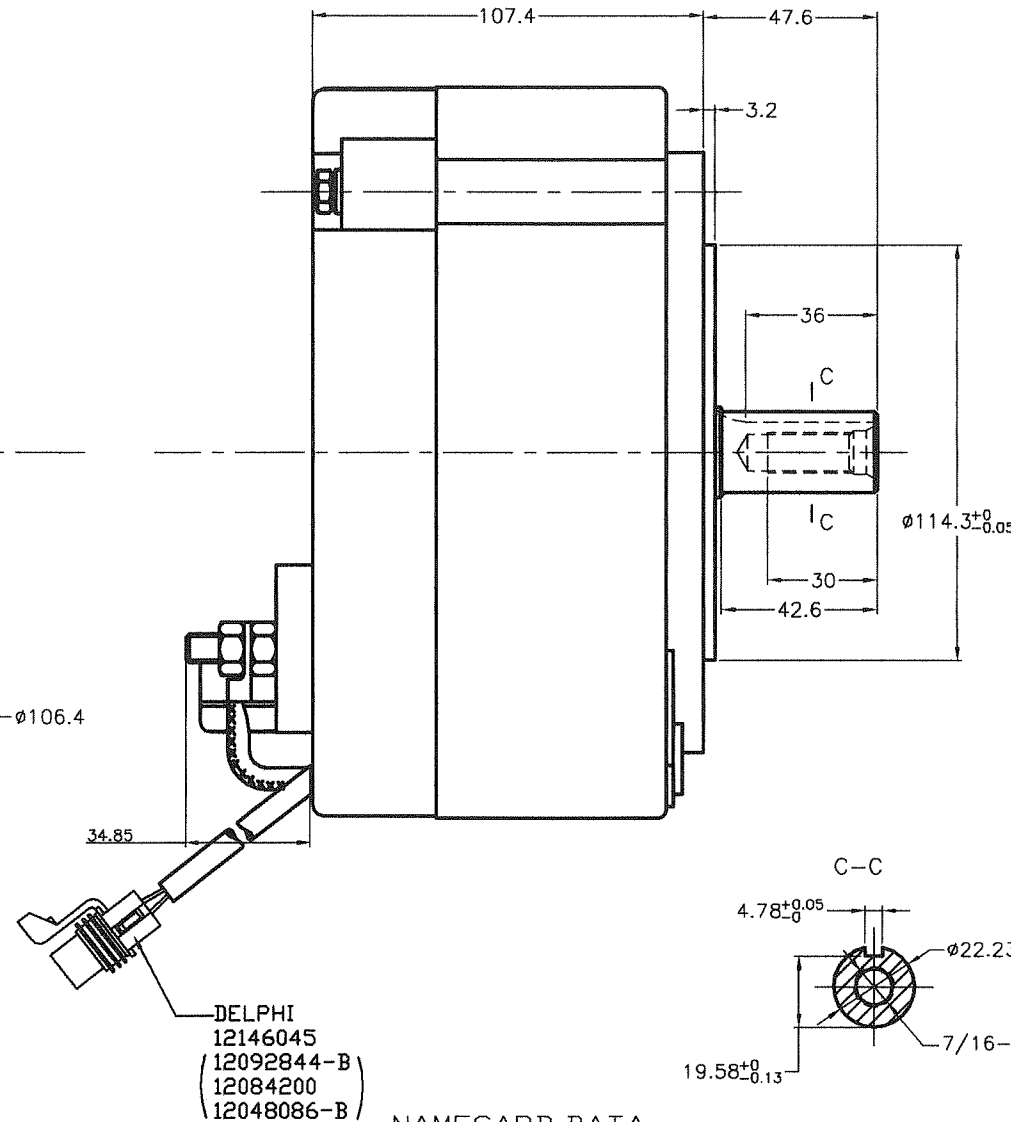
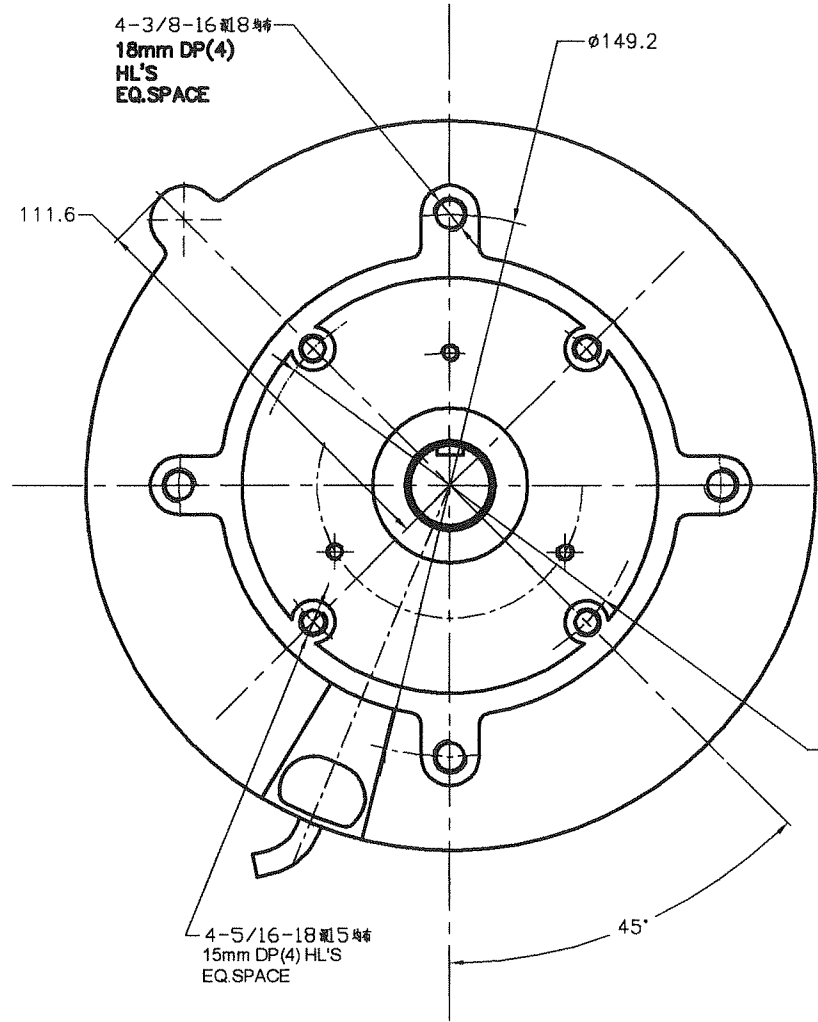
A

A

B

技术要求:

- 1、每相28匝。
- 2、电机前轴承型号采用NTN6006 LLUC3/5K(日本原装)。
- 3、电机用聚苯乙烯泡沫和普通白盒包装,每台电机上应刻上铭牌。
- 4、包装盒上备注: Date Code:xxxxxx
Part Number:ME0201013601
Made in China



VIEW E
SCALE 2:1

NOTES:

- 1.TURNS IS 28 PER PHASE
- 2.Front bearing: NTN6006 LLUC3/5K (Made in Japan)
- 3.Product to be shipped in plain white box, styrofoam packaging
Include Dyno Plot in box.
- 4.Box to be marked:
Date Code: XXXXXX
Part Number: ME0201013601
Made in China

NAMECARD DATA
PART # ME0201013601
DATE CODE XXXXXX
SERIAL #:XX.XX.XXXX
Mars Electric LLC
Milwaukee, WI USA

PIN LOCATION	WIRE DESIGNATION	WIRE COLOR	REMARKS
插孔点	导线标记	导线颜色	注意
1	S1(U1)	WHITE	--
2	S2(U2)	GREEN	--
3	S3(U3)	BLUE	--
4	GND (0)	BLACK	SHIELD TIED TO THIS PIN
5	V _{DD} (+12)	RED	--

REV	CHANGES	BY	ECO NO.	DATE	DO NOT SCALE DRAWING THIS DRAWING IS PROPRIETARY PROPERTY OF MARS ELECTRIC LLC CORPORATION DISCLOSED IN CONFIDENCE. WHICH MAY NOT BE USED OR DISCLOSED WITHOUT PERMISSION. RETURN PROMPTLY AFTER USE.	DIMENSIONING AND TOLERANCING PER ANSI Y14.5M-1994	MATERIAL	TITLE OUTLINE 8BL1200-28T7 永磁式无刷直流水泵电机 外形图	Mars Electric LLC MILWAUKEE, WISCONSIN, U.S.A.
-	-	-	-	-	-	-	-	-	-
-	-	-	-	-	-	-	-	-	-
-	-	-	-	-	-	-	-	-	-
-	-	-	-	-	-	-	-	-	-
-	-	-	-	-	-	-	-	-	-
-	-	-	-	-	-	-	-	-	-
-	-	-	-	-	-	-	-	-	-
-	-	-	-	-	-	-	-	-	-
-	-	-	-	-	-	-	-	-	-